

BRISTAN

Colonial Tap Range

Installation Instructions & User Guide



Please keep these instructions for future reference and request of replacement parts

Contents

Thank you for choosing Bristan, the UK's leading taps and showers expert. We have designed this product with your enjoyment in mind. To ensure that it works to its full potential, it needs to be fitted correctly. These fitting instructions have been created to give you all of the information you need and, if you need any further help, please do not hesitate to give us a call on 0844 701 6273.

Important Safety Information	03
General Specifications	03
Dimensions	04-06
Installation	07-14
Basin & Bath Taps	07
Basin Mixer	08-09
Bidet Mixer	10-11
Bath Shower Mixer	12 - 13
Bath Filler	14
Maintenance	15-16
Map of Hard Water Regions in the UK	17
Troubleshooting	18
Guarantee	19

Important Safety Information

- Please read these instructions thoroughly and retain for future use.
- All products manufactured and supplied by Bristan are safe provided they are installed correctly, used correctly and receive regular maintenance in accordance with these instructions.
- **If you are in any doubt about your ability to install this product safely you must employ the services of an experienced qualified plumber.**
- Remove all packaging and check the components for damage before starting installation.
- This product **must** not be modified in any way as this will invalidate the guarantee.
- These fittings need to be installed in accordance with and meet the requirements of the Water Supply (Water Fittings) Regulations 1999 and Scottish Byelaws 2004.

General Specifications

Operating pressure range (bar)	Min	Max
Basin Taps	0.2	7.0
Bath Taps	0.2	7.0
Basin Mixer	0.2	7.0
Bidet Mixer	0.2	7.0
Bath Shower Mixer	0.2	7.0
Bath Filler	0.2	7.0

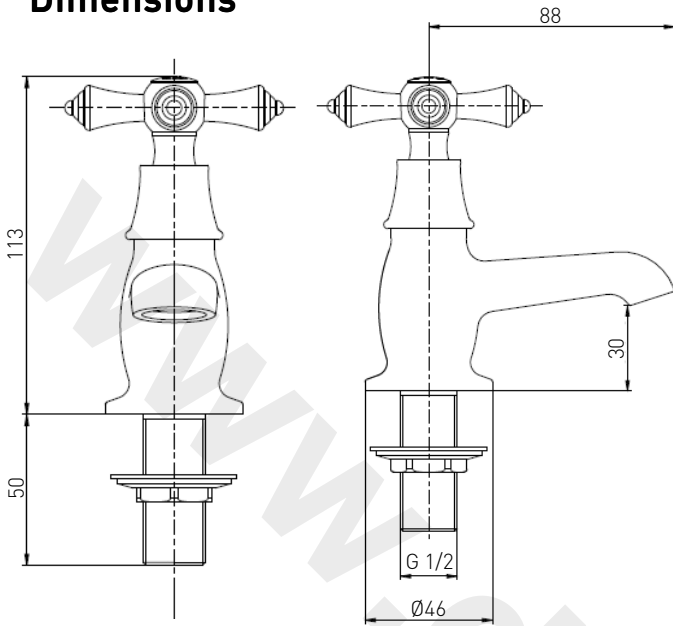
Maximum static pressure – 10.0 bar

NOTE:- Nominally equal (balanced) inlet supply pressures are recommended for optimum Performance of mixer taps.

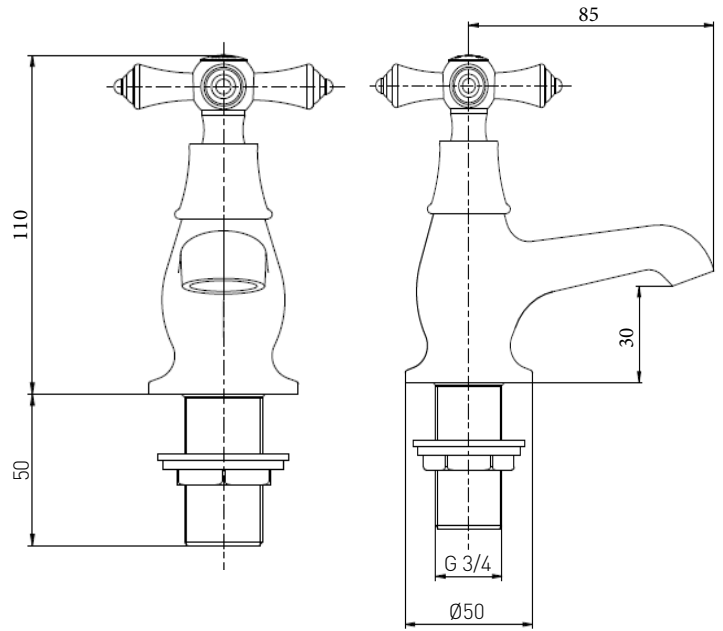
Designed to comply with BS EN 200 for single taps / combination taps for water systems of type 1 and 2 general technical specifications and to be used within systems designed to BS 6700.

BS 6700 recommends the temperature of stored water should never exceed 65°C. A stored water temperature of 60°C is considered sufficient to meet all nominal requirements and will minimise the build up of lime scale in hard water areas.

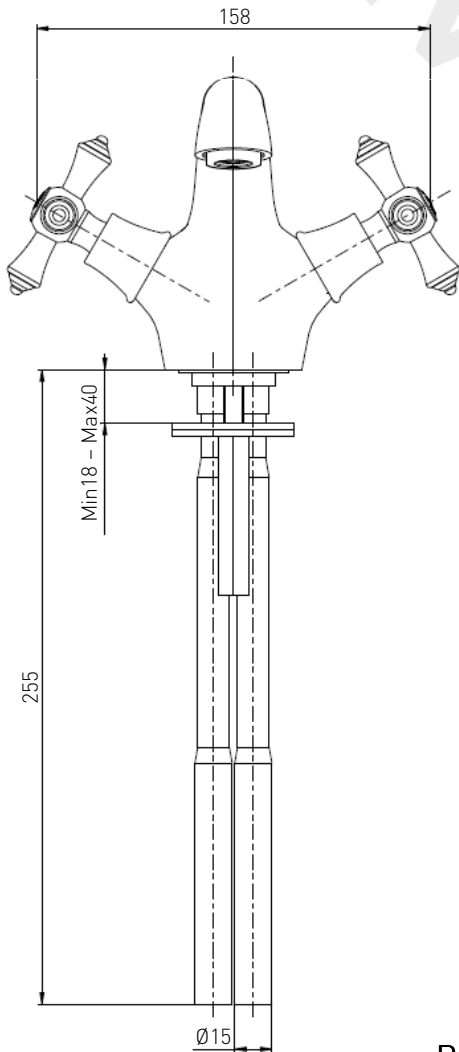
Dimensions



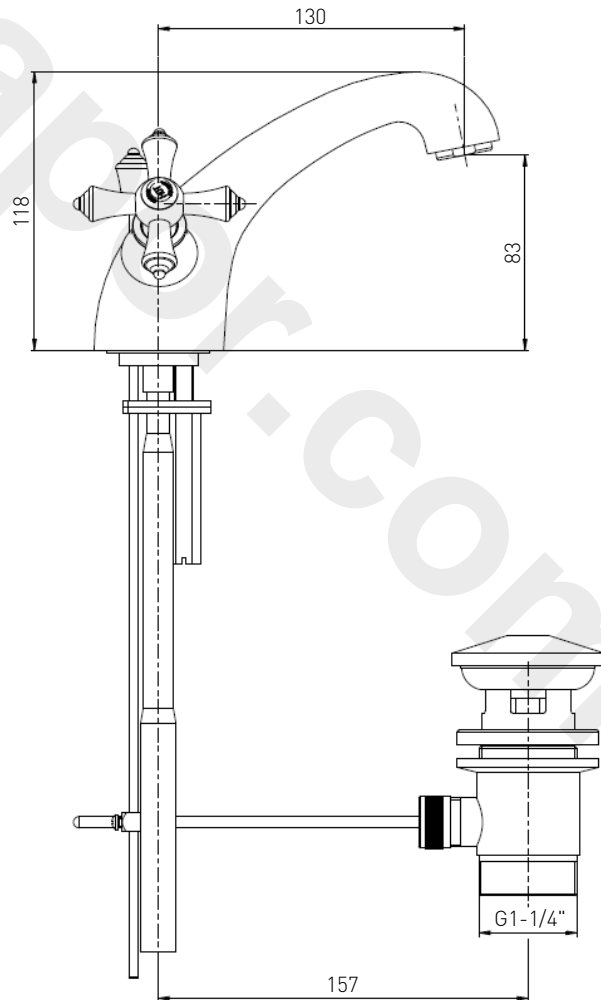
1/2" Basin Taps



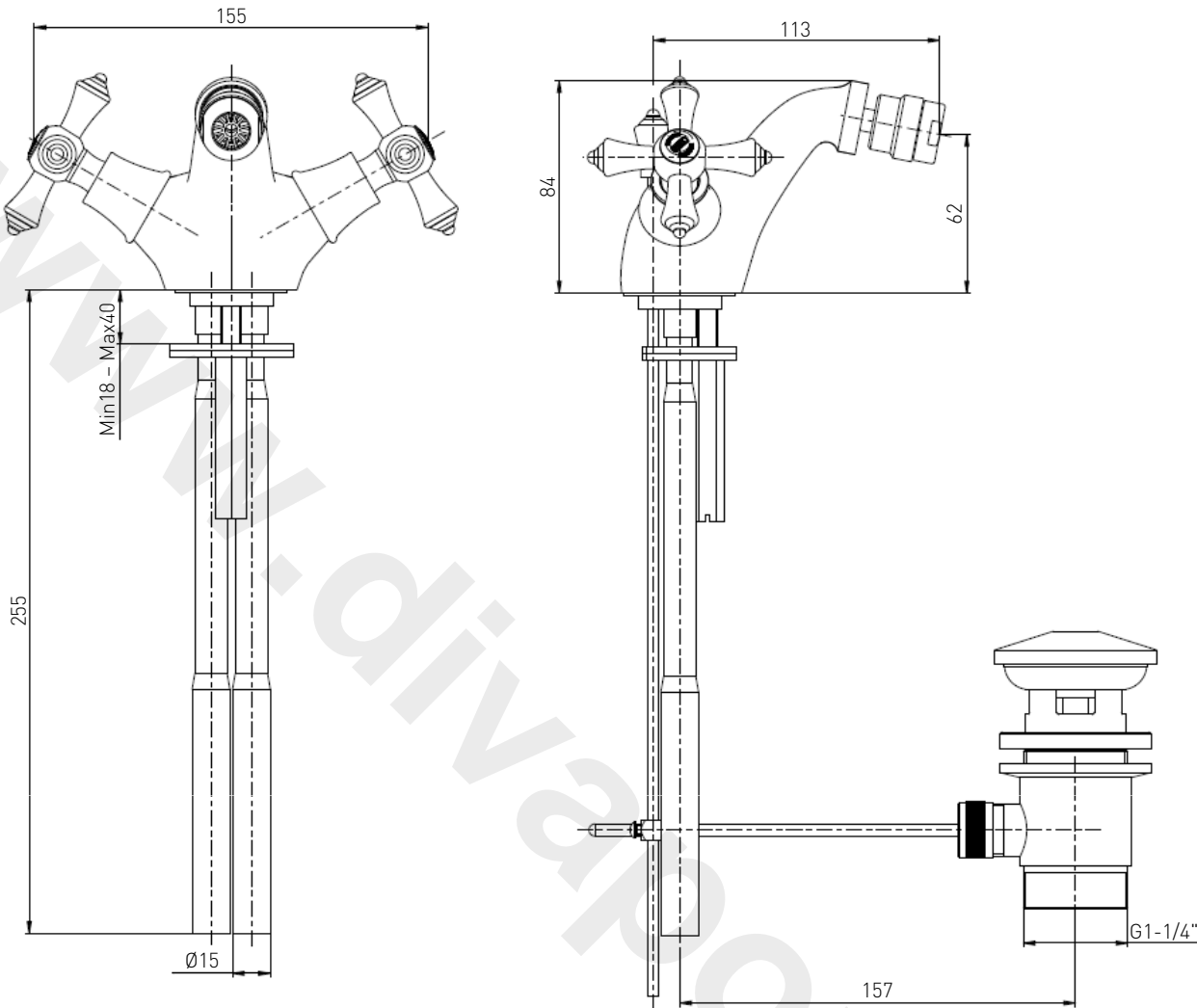
3/4" Bath Taps



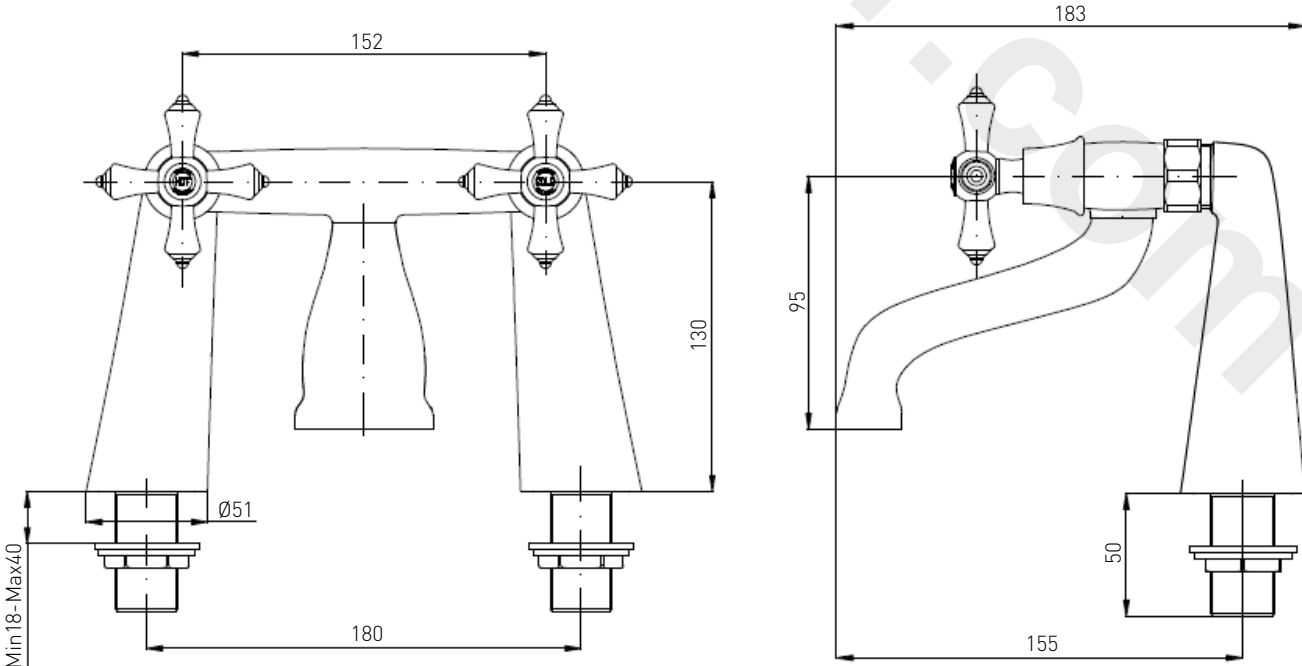
Basin Mixer



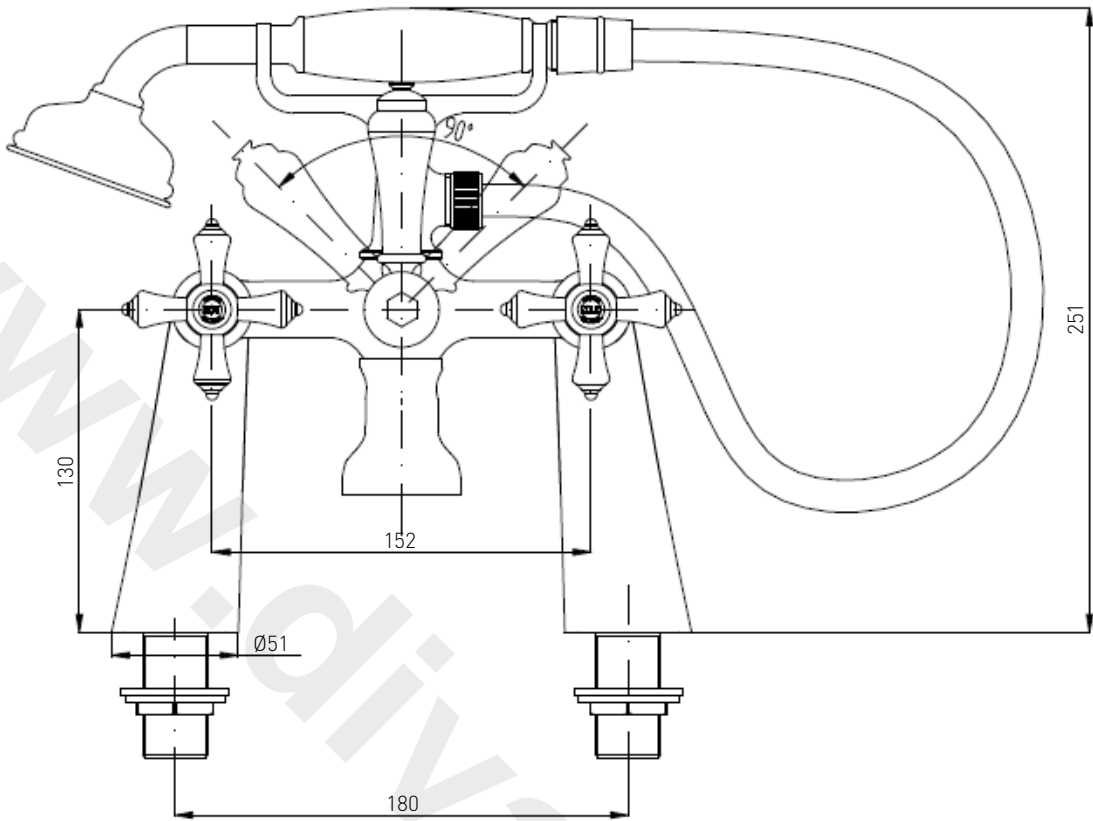
Dimensions Cont.



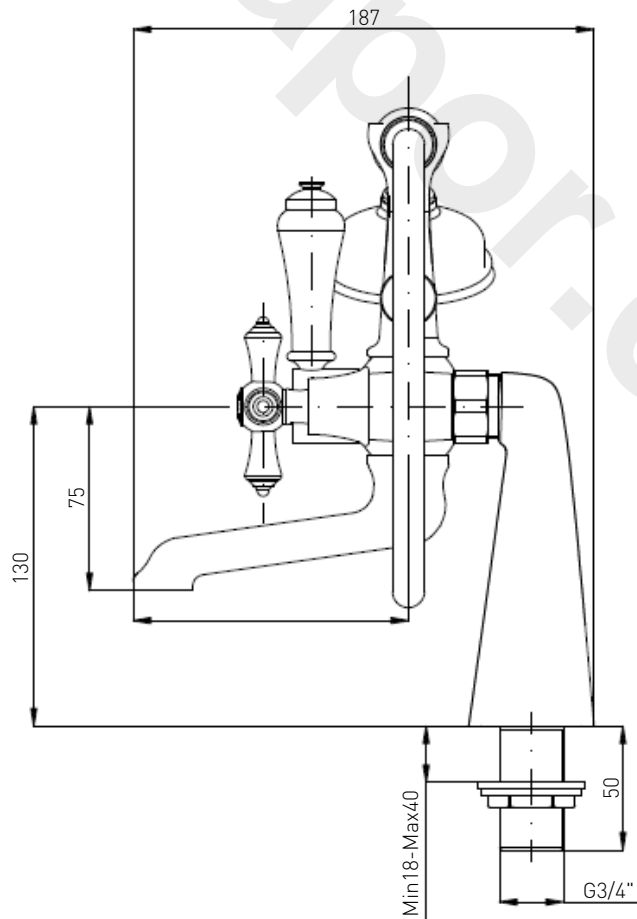
Bath Filler



BRISTAN



Bath Shower Mixer

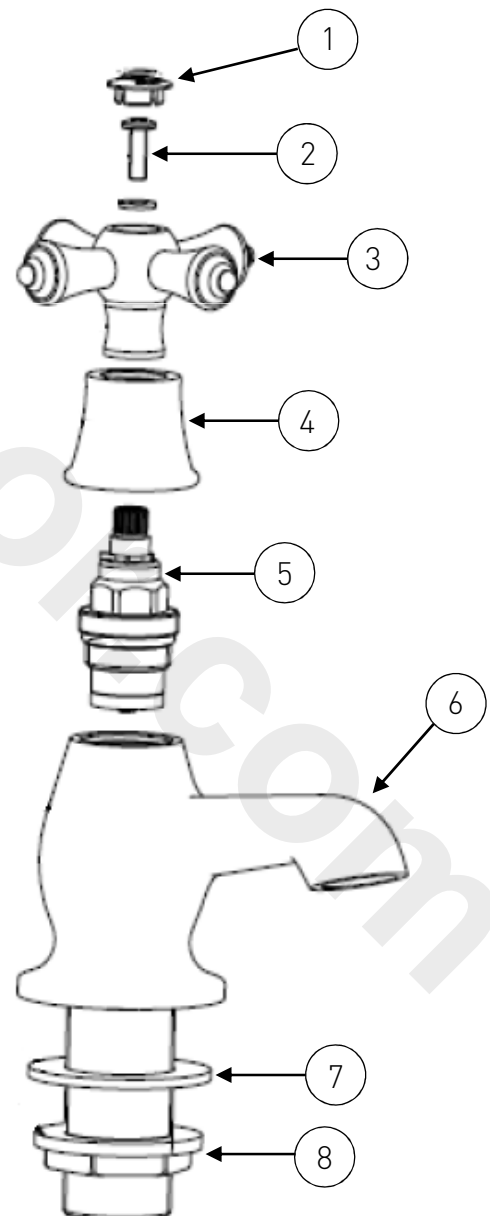


Installation

½" Basin & ¾" Bath Taps

1. Identify all components are present prior to starting installation.
2. Install the taps to the basin.
3. Using the washer (7) and backnuts (8) secure the taps to the basin by tightening the backnuts onto the threaded tails (a suitable spanner maybe needed to fully tighten the backnuts (8)).
4. Connect the hot and cold water supplies to the taps.
5. Turn on both water supplies and turn both taps to the open position letting the water flow for a few minutes to check all joints and connections for any leaks.

1.	Indice	x2
2.	Handle Screw	x2
3.	Handle	x2
4.	Shroud	x2
5.	Valve	x2
6.	Tap Body	x2
7.	Washer	x2
8.	Backnut	x2



Installation cont.

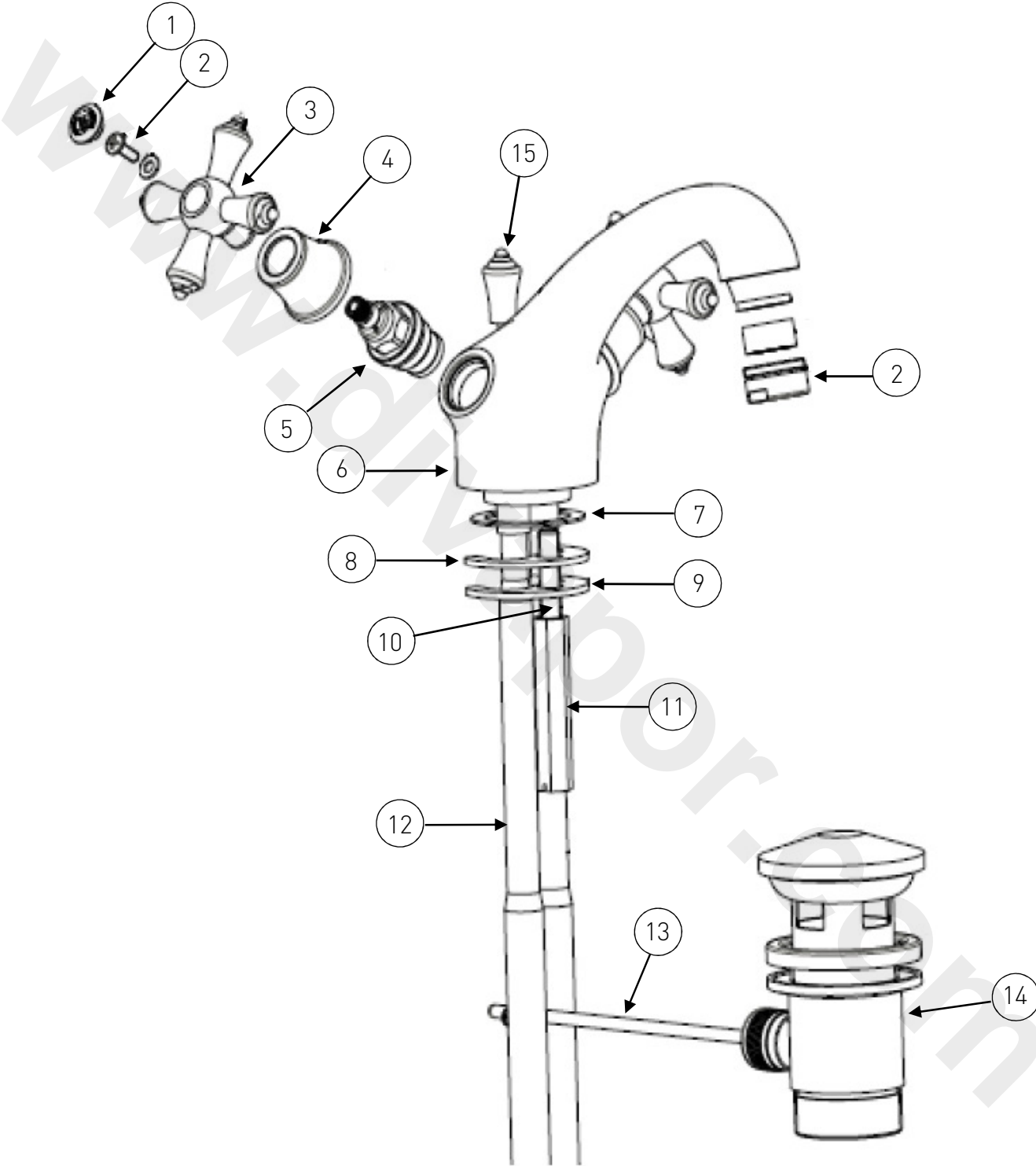
Basin Mixer

1. Identify all components are present prior to starting installation using the diagram overleaf.
2. Fit the mixer body (6) to the basin.
3. Fit the washer (7) between the basin mixer and the top of the basin, and 'C' shaped rubber washer (8) and the 'C' shaped metal washer (9) to the underside of the basin and screw the fixing stud (10) into the bottom of the mixer body (6). Tighten the fixing nut (11) on to the fixing stud (10) to secure the basin mixer in place.
4. Fit the copper connecting pipes (12) to the mixer (**DO NOT OVERTIGHTEN**) and connect the hot and cold water supplies.
5. Fit the pop up waste (14) to the basin ensuring a rubber washer is fitted between the basin and the waste. Use a pure silicon sealant where necessary. Place the other rubber washer under the basin and tighten the bottom of the waste to secure in place. Connect the drainage pipe (not supplied) to the waste.
6. Fix both pop up rods in position, the vertical rod slides down through the hole in the back of the mixer body.
7. In order to fill the basin, pull the pop up waste knob (15) up. To release the water push the pop up waste knob (15) back down.
8. Turn on both water supplies and turn the handles into the open position, letting the water flow for a few minutes to check all joints and connections for any leaks.

1.	Indice	x2	8.	'C' Shaped Rubber Washer	x1
2.	Handle Screw	x2	9.	'C' Shaped Metal Washer	x1
3.	Handle	x2	10.	Fixing Stud	x1
4.	Shroud	x2	11.	Fixing Nut	x1
5.	Valve	x2	12.	Copper Connecting Pipes	x2
6.	Mixer Body	x1	13.	Horizontal waste rod	x1
7.	Washer	x1	14.	Pop up Waste	x1
			15.	Pop up waste knob	x1

Installation cont.

Basin Mixer



Installation cont.

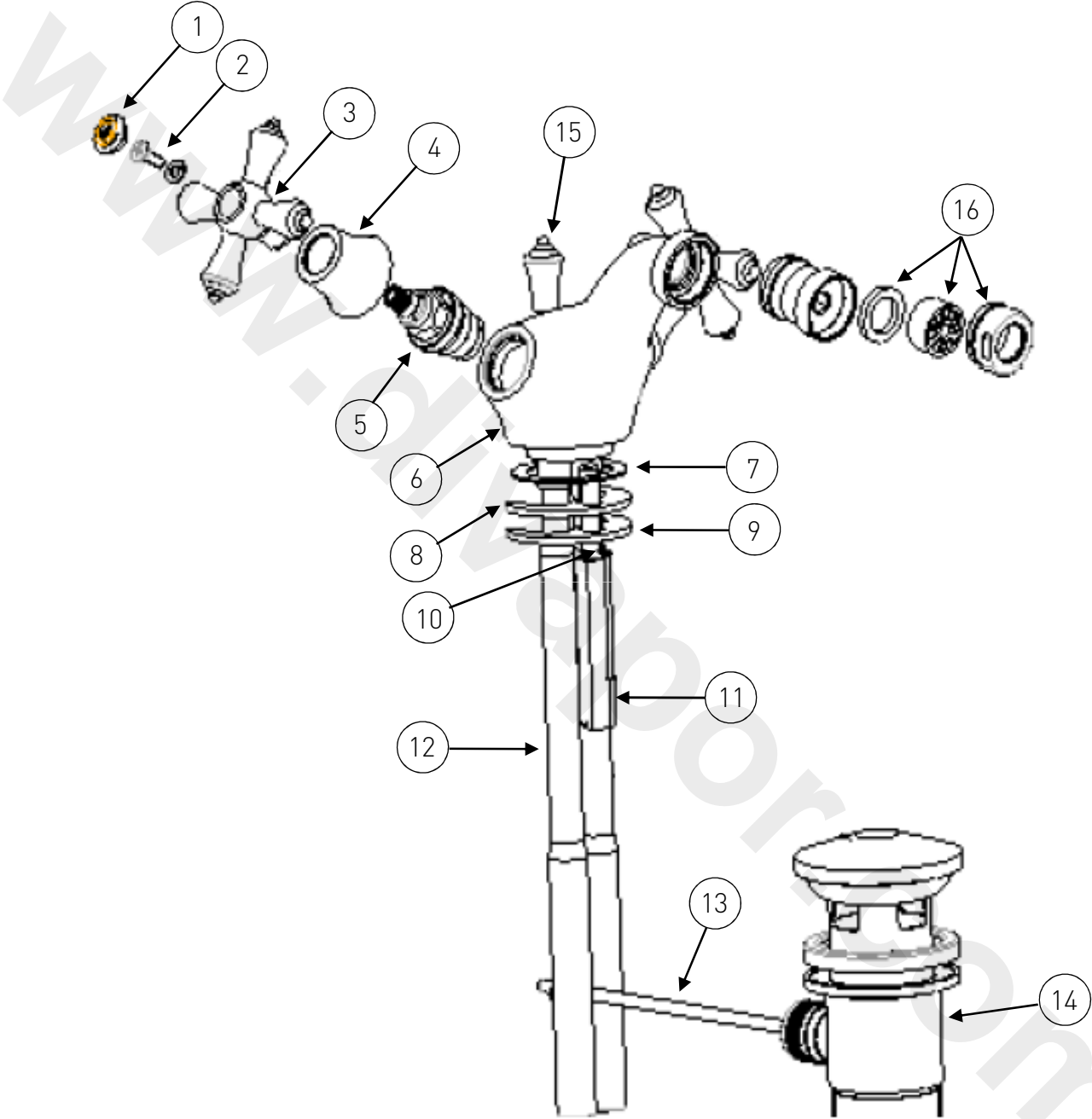
Bidet Mixer

1. Identify all components are present prior to starting installation using the diagram overleaf.
2. Fit the mixer body (6) to the basin.
3. Fit the washer (7) between the bidet mixer and the top of the bidet, and 'C' shaped rubber washer (8) and the 'C' shaped metal washer (9) to the underside of the basin and screw the fixing stud (10) into the bottom of the mixer body (6). Tighten the fixing nut (11) on to the fixing stud (10) to secure the basin mixer in place.
4. Fit the copper connecting pipes (12) to the mixer (**DO NOT OVERTIGHTEN**) and connect the hot and cold water supplies.
5. Fit the pop up waste (14) to the basin ensuring a rubber washer is fitted between the basin and the waste. Use a pure silicon sealant where necessary. Place the other rubber washer under the basin and tighten the bottom of the waste to secure in place. Connect the drainage pipe (not supplied) to the waste.
6. Fix both pop up rods in position, the vertical rod slides down through the hole in the back of the mixer body.
7. In order to fill the basin, pull the pop up waste knob (15) up. To release the water push the pop up waste knob (15) back down.
8. Turn on both water supplies and turn the handles into the open position, letting the water flow for a few minutes to check all joints and connections for any leaks.

1.	Indice	x2	9.	'C' Shaped Metal Washer	x1
2.	Handle Screw	x2	10.	Fixing Stud	x1
3.	Handle	x2	11.	Fixing Nut	x1
4.	Shroud	x2	12.	Copper Connecting Pipes	x2
5.	Valve	x2	13.	Horizontal waste rod	x1
6.	Mixer Body	x1	14.	Pop up Waste	x1
7.	Washer	x1	15.	Pop up waste knob	x1
8.	'C' Shaped Rubber Washer	x1	16.	Flow Straightener	x1

Installation cont.

Bidet Mixer



Installation cont.

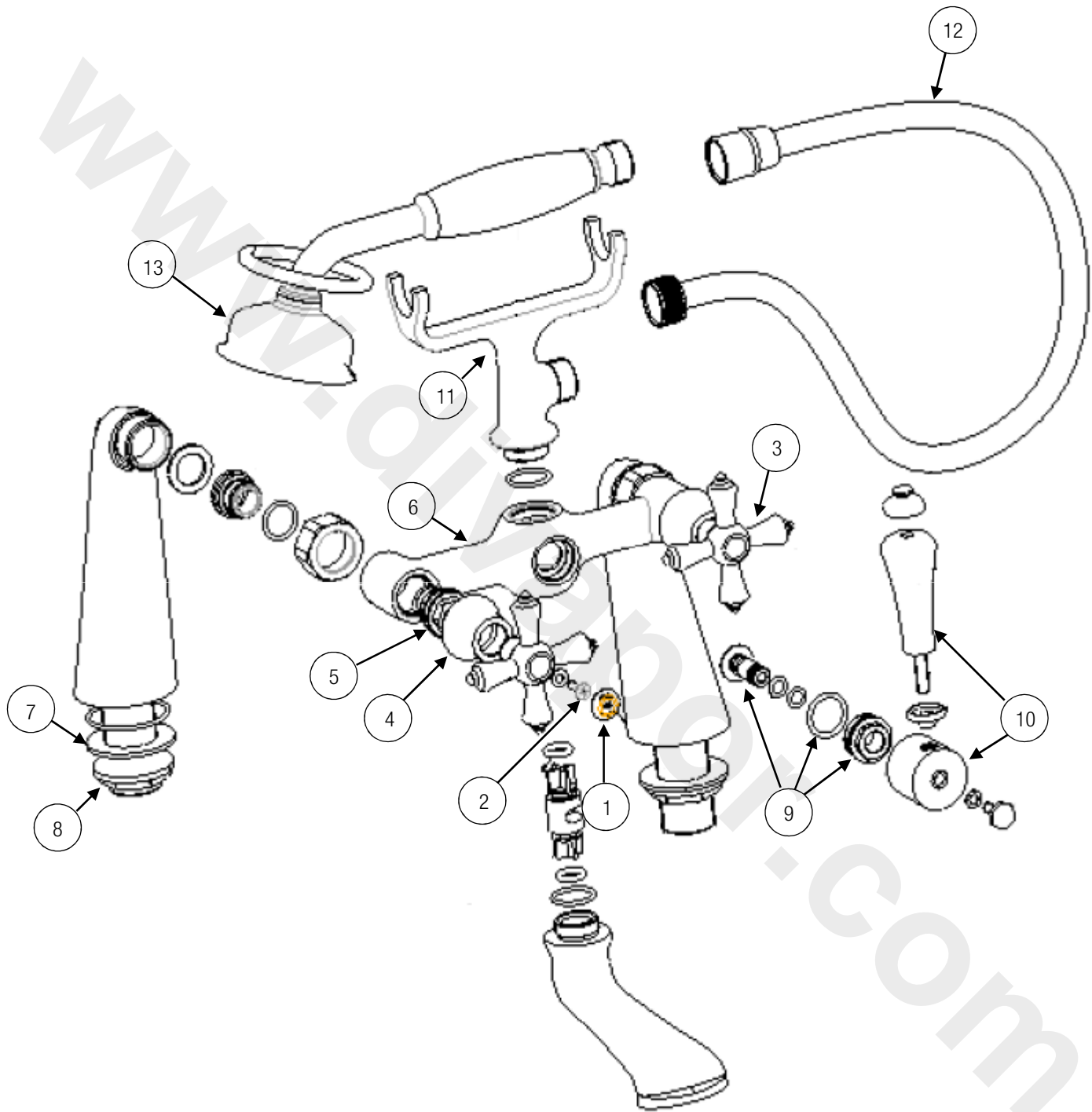
Bath Shower Mixer

1. Identify all components are present prior to starting installation using the diagram overleaf.
2. Install the mixer body (6) to the bath.
3. Using washers (7) and the backnuts (8) secure the mixer body (6) to the bath by tightening the backnuts (8) onto the threaded tails (a suitable spanner maybe needed to fully tighten the backnuts (8)).
4. Connect the hot and cold water supplies using $\frac{3}{4}$ " tap connectors (not supplied).
5. Fit the shower hose (12) to the hose outlet, using the small washer and the handset (13) to the hose using the small washer.
6. Turn on both water supplies and turn the handles to the open position, letting the water flow for a few minutes to check all joints and connections for leaks.
7. To switch from bath to shower mode, turn the diverter lever (10), to revert back to bath filling mode turn the diverter lever back.

1.	Indice	x2	8.	Backnut	x2
2.	Handle Screw	x2	9.	Diverter Mechanism	x1
3.	Handle	x2	10.	Diverter Lever	x1
4.	Shroud	x2	11.	Cradle	x1
5.	Valve	x2	12.	Shower Hose	x1
6.	Mixer Body	x1	13.	Handset	x1
7.	Washer	x2			

Installation cont.

Bath Shower Mixer

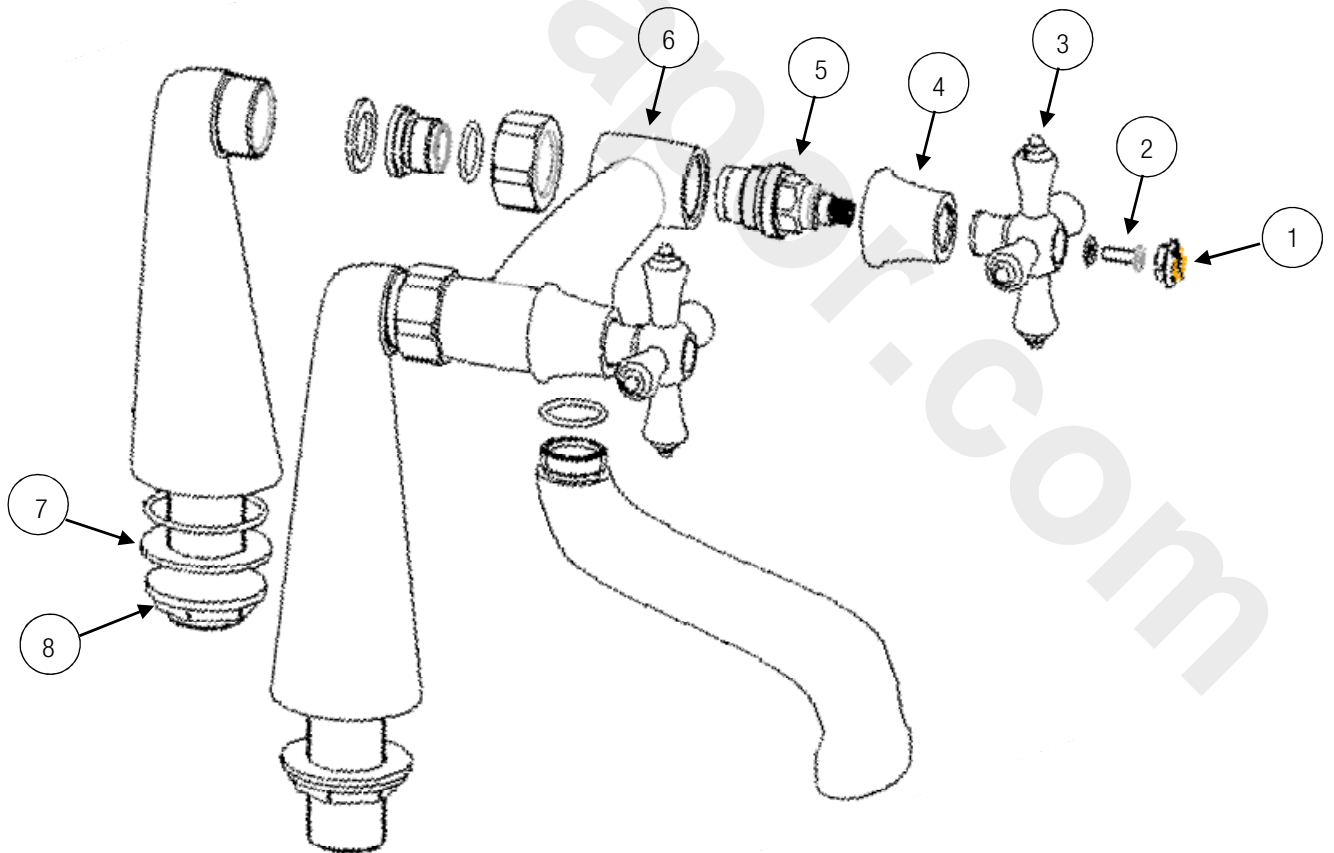


Installation cont.

Bath Filler

1. Identify all components are present prior to starting installation.
2. Install the mixer body (6) to the bath.
3. Using washers (7) and the backnuts (8) secure the mixer body (6) to the bath by tightening the backnuts (8) onto the threaded tails (a suitable spanner maybe needed to fully tighten the backnuts (8)).
4. Connect the hot and cold water supplies using 3/4" tap connectors (not supplied).
5. Turn the handles in both directions, letting the water flow for a few minutes to check all joints and connections for leaks.

1.	Indice	x2	5.	Valve	x2
2.	Handle Screw	x2	6.	Mixer Body	x1
3.	Handle	x2	7.	Washer	x2
4.	Shroud	x2	8.	Backnut	x2



Maintenance

General Cleaning

Your fitting has a high quality finish and should be treated with care to preserve the visible surfaces. All finishes will wear if not cleaned correctly. The only safe way to clean your product is to wipe with a soft damp cloth. Stains can be removed using washing up liquid. All bathroom cleaning products (powders and liquids) will damage the surface of your fitting, even the non-scratch cleaners.

Note: Never use abrasive detergents or disinfectants or those containing alcohol, hydrochloric acid or phosphoric acid.



Bristan recommend E-cloth for cleaning all of our bathroom & kitchen products. Using just water, E-cloth gives a smear free, deep clean by breaking up and holding dirt, which normal cloths leave behind. Order through your Bristan stockist (order code: E-CLOTH).

Cleaning the Showerhead

The hardness of the water in your area will determine how often you should clean your showerhead. Build up of scale in particularly hard water areas combined with constant use means you may need to clean your showerhead once a week. To ensure continued performance the showerhead needs to be regularly descaled.

See map of Hard Water Regions in the UK on page 17 to see the water type in your area.

Tip: If the showerhead is heavily scaled or has not be maintained for a long period of time a solution of hot water and white vinegar may be needed to clear the scale.

Mix a 50/50 solution and rub the nozzles thoroughly with the solution making sure the solution gets into all of the nozzles.

Wash off the solution with clean water.

Maintenance cont.

Cleaning the Valves

We advise that your fitting is regularly serviced in hard water areas to maintain optimum performance (see map of Hard Water Regions in the UK on page 17).

If your fitting begins to leak the following should be carried out;

Isolate both hot and cold water supplies to the tap by either:

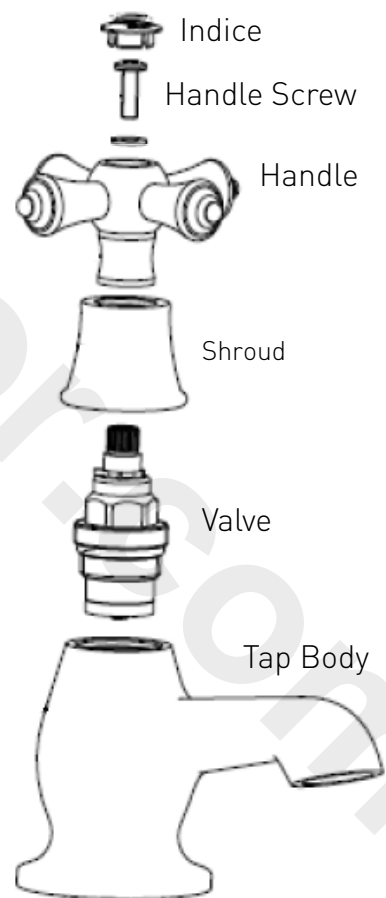
- Turning the water supply off at the mains stopcock or
- Turning off the isolation valves to the tap.

1. Prise the Indice from the handle.
2. Loosen the handle screw and pull the handle from the valve spindle.
3. Unscrew the shroud from the valve.
4. Using a suitable spanner remove the valve from the tap body.
5. Clean the valve and the seating inside the tap body.
6. If necessary replace the valve

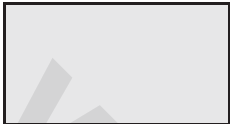
Please visit www.bristan.com/sparesfinder in order to find spare parts for this product.

7. Replace the valve into the tap body and tighten fully using a suitable spanner.
8. Screw the shroud onto the valve.

9. Push the handle onto the valve spindle.
10. Tighten the handle screw and push-fit the Indice back into position.



Map of Hard Water Regions in the UK



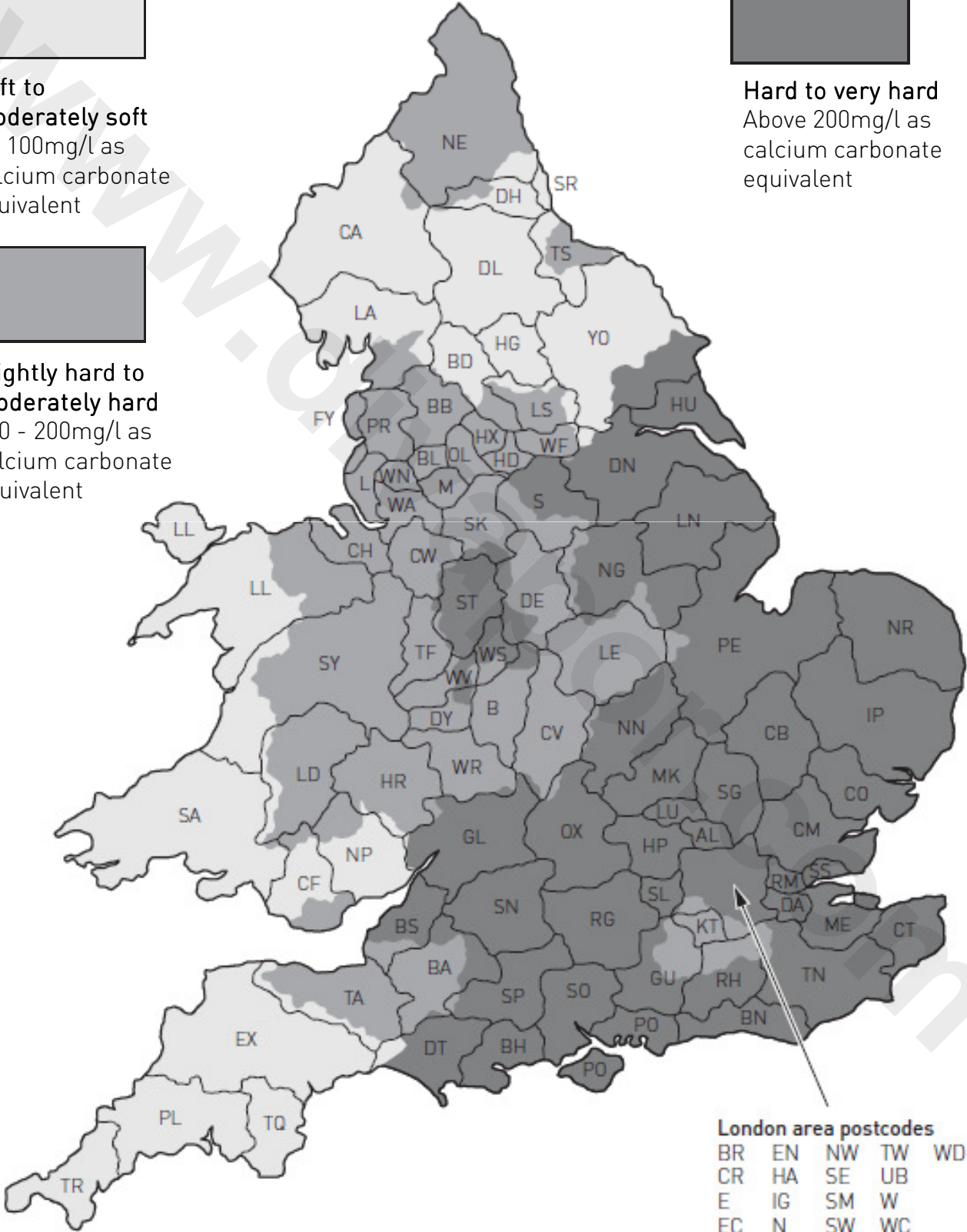
Soft to moderately soft
0 - 100mg/l as calcium carbonate equivalent



Slightly hard to moderately hard
100 - 200mg/l as calcium carbonate equivalent



Hard to very hard
Above 200mg/l as calcium carbonate equivalent



Troubleshooting

Symptom	Cause	Remedy
No flow or poor flow rate.	Partially closed stop or service valve in water supply pipework to the tap.	Open stop or service valve.
	Head of water is below the minimum distance required.	Refer to the Specification section for minimum pressures required.
	Possible airlock / blockage in supply pipework	Remove water supplies from the fitting and flush the system to remove any airlocks / debris.
	Valve not opening fully.	Service fitting. Refer to maintenance section on page 15-16.
Water dripping for a few seconds after the tap has been turned off.	This is caused by 'capillary action' and residual water in the spout being siphoned out. This should only last for a couple of seconds.	
Constant dripping / leaking when the tap is not in use.	Valve not fully shutting off.	Service fitting and replace cartridge / valve. Refer to maintenance section on page 15-16.
Fitting does not turn on.	Water supplies not turned on.	Check that the water supplies to the fitting are turned on.
	Closed stop or service valve.	Open stop or service valve.
Water does not come out of the showerhead when using the bath shower mixer.	Diverter mechanism not fully open.	Open the diverter mechanism fully by turning the diverter lever.
	Insufficient water pressure / header height.	Refer to the specification section for minimum pressures required.



Guarantee

Bristan Guarantee

Bristan offers solid guarantees to provide you with complete peace of mind.

Taps and Mixers

5 year parts and 1 year labour*. Gold, painted and special finishes 3 years parts only.

All subject to proof of purchase.

Mixer Shower Valves

5 year parts. 5 year labour* (subject to registration), or 1 year with proof of purchase.

Gold, painted and special finishes 3 years parts only.

Pumps and Power Showers

2 year parts. 1 year labour* (subject to registration).

Electric Showers/Instantaneous Water Heaters

2 year parts. 1 year labour* (subject to registration).

Accessories

5 year parts only. Includes bathrooms accessories, shower accessories (e.g. hoses, handsets and poles), wastes, WC levers and light pulls. Gold, painted and special finishes 3 years parts only.

Sanitaryware

5 year parts only. Subject to proof of purchase.

*Labour provided by an approved Bristan engineer. Guarantee only applies to products with a manufacturing fault. A deferred payment will be necessary in order to secure any visits by our engineers which will be charged if the problem is found **not** to be a manufacturing fault. If the fault is found to be down to a manufacturing error, the payment will be released and not charged.

This guarantee applies to products purchased within the United Kingdom or Republic of Ireland, but does not apply to products used commercially.

The guarantee is only available to original purchasers who have proof of purchase.

The installation must allow ready access to all products for the purpose of inspection, maintenance or replacement.

Any part found to be defective during the above guarantee period will be replaced without charge, providing that the product has been installed in accordance with the instructions, used as intended, and regularly serviced.

Servicing should be carried out at regular intervals of no more than 12 months and more frequently in hard water areas (heavy lime scale) areas.

In the unlikely event that any problems are encountered with the product's performance on installation, you must obtain guidance/authorisation from our Customer Service Department, and be able to supply proof and date of purchase, before any remedial action is taken.

The guarantee excludes general wear and tear and damage caused by accident, misuse or neglect, and does not cover the following:

- Components that are subject to general wear and tear such as filters, seals, 'O' rings and washers etc.
- Damage caused by faulty installation
- Damage caused by lime scale or any waterborne debris
- Damage caused by inappropriate cleaning products (see user instructions)
- Damage caused by the use of non-Bristan parts
- The product being used for a purpose other than intended by the manufacturer.

In the interests of continuous product improvement Bristan reserves the right to alter specification as necessary.

BRISTAN

This booklet covers product codes

K 1/2 C / K 1/2 G / K 3/4 C / K 3/4 G

K BAS C / K BAS G / K BID C / K BID G

K BF C / K BF G / K BSM C / K BSM G

Helpline

0844 701 6273

Bristan Group Limited

Birch Coppice Business Park, Dordon, Tamworth, Staffordshire B78 1SG

A Masco Company

Website: www.bristan.com

Telephone: 0844 7016 274 Facsimile: 0844 701 6275

Email: enquire@bristan.com